


GS-23 Lid Stay (With Catch)

Top opening

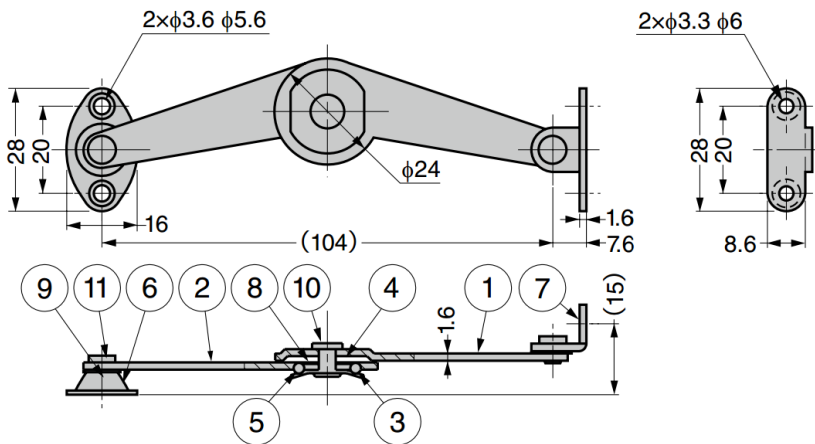
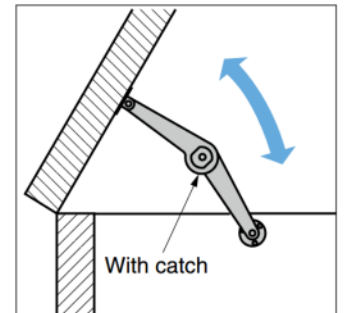
Opening Direction	Description
 Top-opening	With Catch

Features

- With catch

Notes

- Catch mechanism may not work, depending on door weight
- When installing this stay to sheet metal, be sure to perform thread relief processing (chamfering) on the mounting surface side (cabinet side). In this way, screw head will not protrude when the stay is fixed



Left-handed type shown.

No.	Part Name	Material	Finish
①	Body A	Steel (SPCC)	Chrome
②	Body B		
③	Spring A	Stainless Steel (SUS301)	-
④	Spring B		
⑤	Balls	Steel (SWRCH)	
⑥	Mounting Plate	Steel (SPCC)	Chrome
⑦	Bracket		Coloured Zinc Chromate (Trivalent)
⑧	Washer		
⑨	Washer	PA	Natural
⑩	Centre Shaft	Brass	Tin Cobalt Plating
⑪	Shaft		

Part No.	Type	Tension Force (per pierce)	
GS-23R	Right-handed	298 N	30.4 kg
GS-23L	Left-handed		